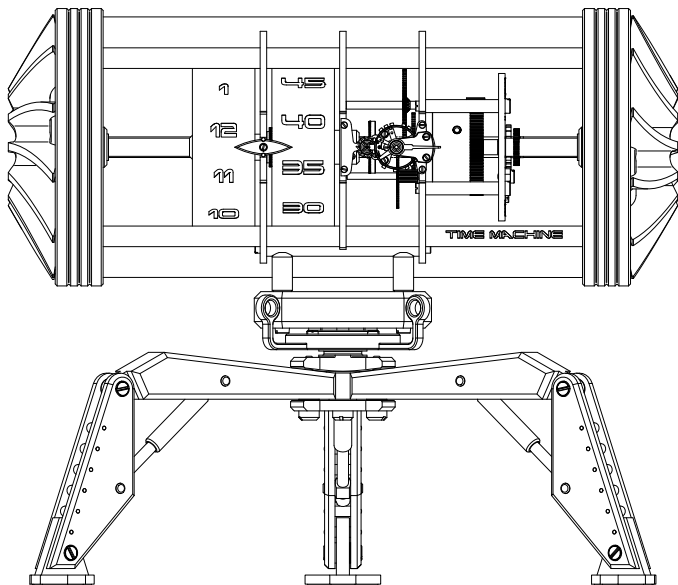




TIME MACHINE

USER INSTRUCTIONS



CONGRATULATIONS

You have just acquired Time Machine, an advanced mechanical movement timepiece from L'Epée 1839.

Time Machine was designed, developed and manufactured with passion and care by L'Epée 1839's master watchmakers in Delémont, Switzerland.

IMPORTANT INFORMATION

The movement of Time Machine is protected by a glass tube/capsule.

The clock should never be in contact with any liquids – even in vaporized form. If it occurs, the clock should be serviced immediately. Use only a soft and dry cloth to clean the clock. Dust and particles contained in the cloth could scratch parts. Do not use any kind of cleaning products to wipe the clock. It is recommended to keep the clock distant from any source of heat or vibrations. To preserve the longevity and functionality of Time Machine, do not permanently expose the clock to direct sunlight or in a humid/dusty place.

A simple contact on certain pieces can generate delays in timekeeping, which can only be solved by servicing. Fingerprints will also damage the coating.

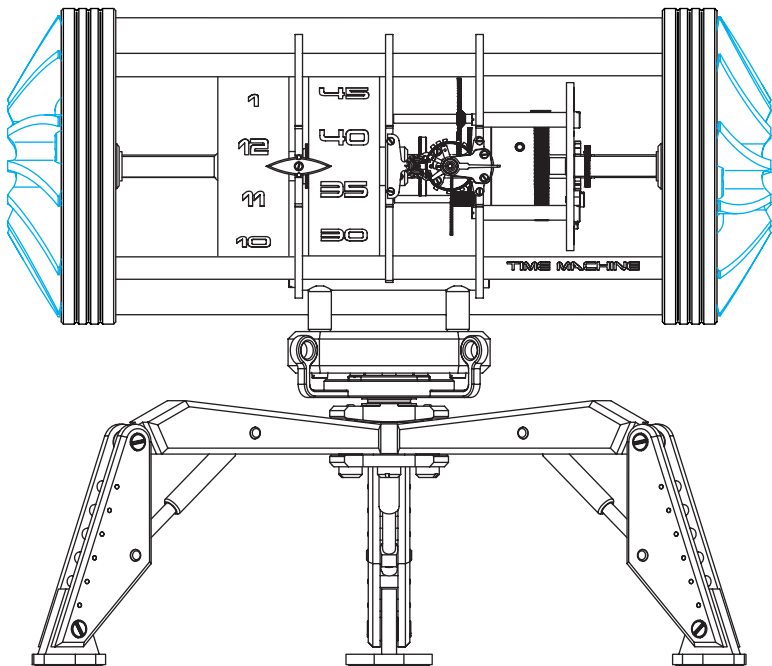
Our clocks are developed to ensure optimal accuracy and reliability. It is well accepted for a fine mechanical clock to have a few seconds' variation per day and our clocks are set so as not to delay. However if you should notice a bigger variation, please contact an authorized dealer who will advise you, or a L'Épée 1839 technical support center which will proceed with the necessary adjustment.

As for all Horological pieces of art, it is recommended to periodically service your clock. A mechanical masterpiece requires fine oils for the lubrication of the movement. These oils deteriorate over the years. We therefore advise having the movement serviced every 3 to 5 years. Be aware that the optimal period between servicing times can vary depending on the surrounding environmental conditions.

It is recommended to handle Time Machine by the three legs, not by the glass tube protecting the mechanism.

**SETTING
THE TIME**

**WINDING
THE MOVEMENT**



Front view

SETTING THE TIME

Time setting is done with the left turbine-shape end of the glass tube. Make sure you wear gloves to prevent from any damages. Turn the rotative fin (in blue on the diagram) to adjust time.

WINDING THE MOVEMENT

To wind the movement, use the turbine-shape winder (in blue in the diagram) located at the right end of the glass tube. Wear gloves and turn clockwise.

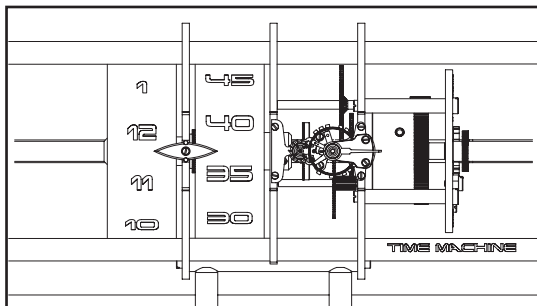
The movement should be fully wound every 8 days. Be sure to wind up the spring completely. At the end of the winding procedure, you will feel the necessary force increase significantly; do not wind further as this is the sign that the movement is fully wound.

HOURS AND MINUTES DISPLAY

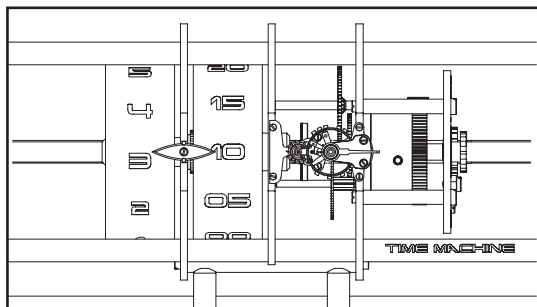
Hours and minutes are displayed by the central arrow.

Exemple :

11h 37

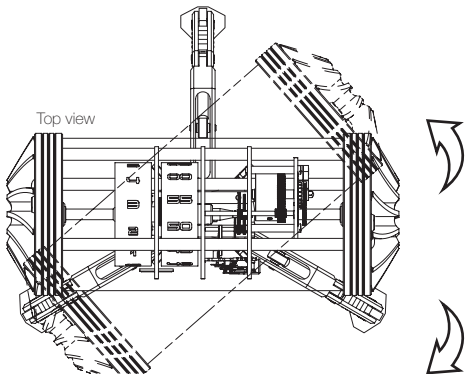


3H10



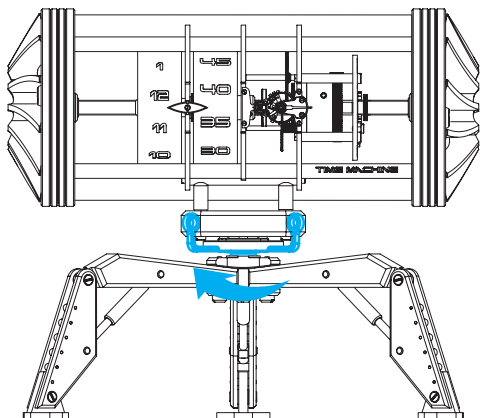
KINETIC SCULPTURE

The tube can rotate 360° both ways. Move gently.
The 3 legs of Time Machine do not move.



LOCK THE ROTATION

Turn the nut (in blue here) anti-clockwise to secure the rotation and lock/stop the movement of the tube.



L'Epée 1839

Swiza Sa Manufacture
rue St-maurice 1
PO BOX 973
2800 Delémont
Switzerland

Customer Service:
Tel. +41 (0)32 421 94 05
Mail. sav@swiza.ch

www.lepee1839.ch